

VIPER S

Compact, strong, small.

a Look Solutions product



high effectiveness

low power consumption

good price/performance ratio

made in Germany

This fog generator with 650 W and an powerful output of approx. 8 meter perfectly completes the Viper range.

The **Viper S** is made for smaller stages and Clubs. Due to its compact design and the light weight, the machine can also be assembled for mobile uses.

The **Viper S** is characterised by a low power- and fluid consumption but a powerful output. Thus, the operating costs are low and the **Viper S** coincidental is energy-saving without cutting back the output.

Equipped with all features and the usual reliability of the whole Viper range, the **Viper S** is an inexpensive alternative to bigger machines.

Features

- Finest adjustments of the output
Digital technology enables fine adjustments of the pump. In steps of 1% the output can be adjusted from 0 - 99%. Thus, any desired effect - from a tiny fog cloud to the thickest continuous fog - can be produced. This allows an individual adaptation to the dimensions of the room.

- DMX 512 as standard
The **Viper S** can be controlled via *DMX 512*. The connection is done with 5pin-XLR-plugs.
The DMX start address can be adjusted and saved via the control panel. The address remains saved also when the machine is unplugged.

The machine can also be controlled with *analog (0 - 10V)* via a lighting desk or a XLR-remote (option). The connection is done with 3-pin-XLR-plug.

A *Stand-Alone-Mode* is possible as well. The adjustment of the pump is done directly at the machine. Pressing the start button once, the machine starts running with the pre-adjusted pump level.

A *radio remote* is also available as an option.

- Internal timer

With the internal timer, the fogging time can be adjusted in seconds, the wait time in minutes and the output in %. Once the timer is activated, the adjusted program will run until the timer is deactivated.

- Control panel

The control panel with LED display and simple symbols allow an easy operation. It also protects the control buttons against dirt.

Liquid

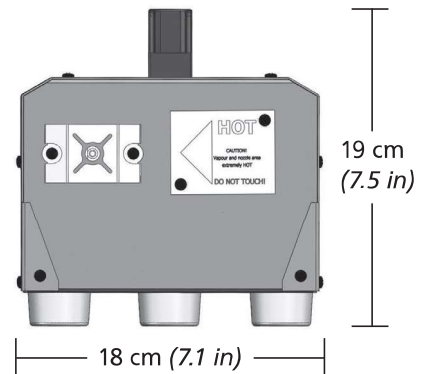
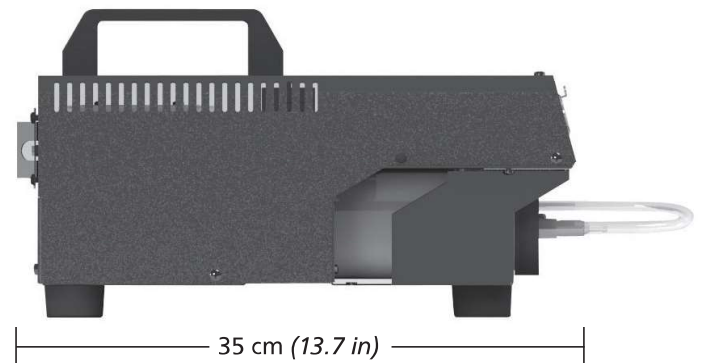
The following Look fog liquids are available for the **Viper S**:

Quick-Fog (thick, quick disappearing fog liquid)
Regular-Fog (thick, long lasting fog liquid)
Slow-Fog (thick, extremely long lasting fog liquid)

Specifications

Procedure	Vaporizing fog generator
Power requirement	650 Watt
Voltage	230 V/50 Hz or 120 V/60 Hz
Heat-up time	approx. 7 minutes
Fog output	adjustable in 99 steps (1% steps)
Fluid tank capacity	750 ml (25.3 oz)
Fluid consumption	60 ml/min. at max. output (2 oz) 15 ml/min. at cont. output (0.5 oz)
Output projection	max. 8 m (26.2 ft)
Fog time at 100% at <50%	approx. 35 seconds continuous output
Temperature control	Microprocessor controlled
Overheating protection	Heater block with thermostat Pump with temperature switch
Control	DMX 512 0-10 V analog Stand alone internal timer Radio remote (option)
Dimensions (L x W x H)	35 x 18 x 19 cm (13.7 x 7.1 x 7.5 in)
Weight without canister	5.4 kg (11.9 lb)

Dimensions



Advantages

- DMX 512 as standard, analog (0 - 10 V) and Stand-alone-mode
- Internal timer
- Control panel with LED-display and simple symbols for an easy operation
- Powerful output
- Fog output adjustable in steps of 1%
- Continuous output
- Made in Germany

Accessories

- XLR-remote for analog control
- Radio remote
- Duct adaptor for hose diameter 65 mm
- Flightcase

Service

Based on the strong partnership with the german manufacturer, Look Solutions is able to provide a quick and easy service which guarantees the high quality of all products.